
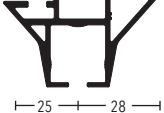

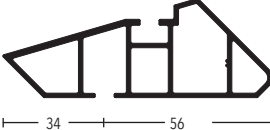
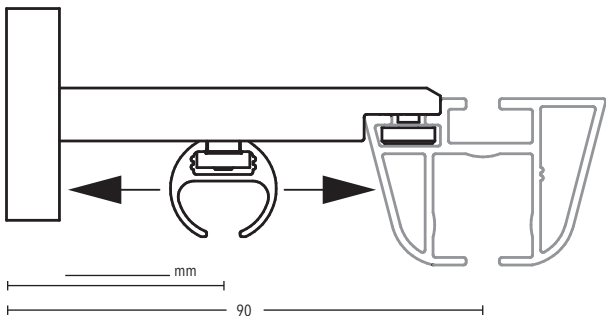
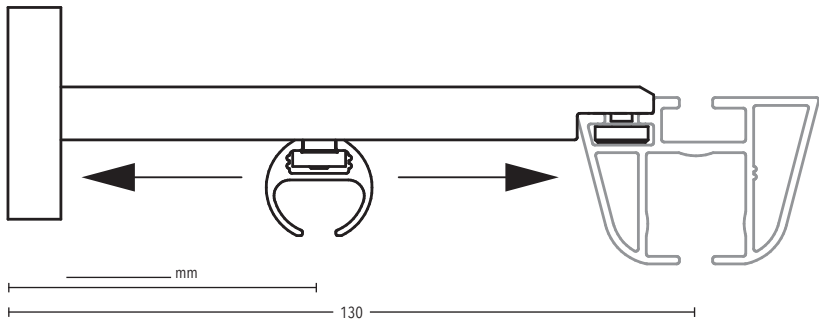


Custom Made Bracket - Order Form

MOUNTING OPTION OF AN ADDITIONAL PROFILE - SINGLE TO DOUBLE RAIL SET

| SERIES | | | |
|---|---|--|---|
| <input type="checkbox"/> | Pur 32 x 46 mm | <input type="checkbox"/> | Cos 32 x 53 mm |
| <input type="checkbox"/> | Lep 31 x 90 mm | <input type="checkbox"/> | Nexus 33 x 90 mm |
|  |  |  |  |

| FINISHES | | | |
|---|---|---|---|
| Pur 32 x 46 mm | Cos 32 x 53 mm | Lep 31 x 90 mm | Nexus 33 x 90 mm |
| <input type="checkbox"/> -08 matt aluminium | <input type="checkbox"/> -08 matt aluminium | <input type="checkbox"/> -29 satined nickel | <input type="checkbox"/> -29 satined nickel |
| <input type="checkbox"/> -22 polished chrome | <input type="checkbox"/> -48 matt white | <input type="checkbox"/> -157 matt black | <input type="checkbox"/> -157 matt black |
| <input type="checkbox"/> -29 satined nickel | <input type="checkbox"/> -157 matt black | <input type="checkbox"/> -209 brushed gold | |
| <input type="checkbox"/> -48 matt white | | <input type="checkbox"/> -850 brushed palladium | |
| <input type="checkbox"/> -157 matt black | | | |
| <input type="checkbox"/> -209 brushed gold | | | |
| <input type="checkbox"/> -850 brushed palladium | | | |

| WALL DISTANCE | |
|---|--|
| <input type="checkbox"/> |  <p>mm 90</p> |
| <input type="checkbox"/> |  <p>mm 130</p> |
| <p>Note: Please enter the desired wall distance in the drawing (wall to profile center)</p> | |

Quantity: _____ pcs Price on request