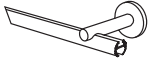
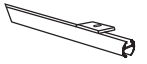
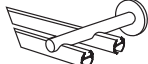
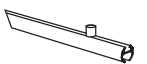
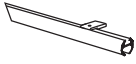
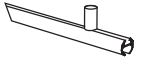
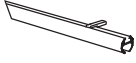
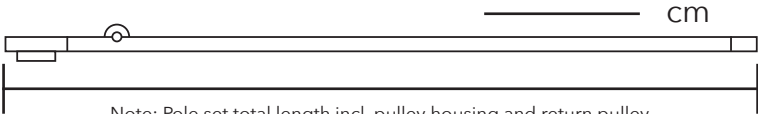


Ø 28 mm IQ MotionBlinds Order Template

1. SYSTEM			
<input type="checkbox"/>	4- Single rail Wall extension 120 mm		<input type="checkbox"/>
<input type="checkbox"/>	14- Single rail Ceiling extension 32 mm		<input type="checkbox"/>
<input type="checkbox"/>	5- Single rail Wall extension 110/220 mm		<input type="checkbox"/>
<input type="checkbox"/>	15- Single rail Ceiling extension 41 mm		<input type="checkbox"/>
<input type="checkbox"/>	11- Single rail Ceiling extension 29 mm		<input type="checkbox"/>
<input type="checkbox"/>	16- Single rail Ceiling extension 60 mm		<input type="checkbox"/>
<input type="checkbox"/>	13- Single rail Ceiling extension 29 mm		<input type="checkbox"/>

2. LENGTH	3. FINISH
 <p>Note: Pole set total length incl. pulley housing and return pulley.</p>	<input type="checkbox"/> -22 polished chrome
	<input type="checkbox"/> -29 satined nickel
	<input type="checkbox"/> -157 black matt
	<input type="checkbox"/>

4. DRIVE	5. OVER- / UNDERLAP / WAVE CARRIER
<input type="checkbox"/> right side	<input type="checkbox"/> Yes (standard) 8809-23 / -24
<input type="checkbox"/> left side	<input type="checkbox"/> No
	<input type="checkbox"/> Wave Carrier 8809-34

6. CURTAIN STACK	7. GLIDER / GLIDERCHAIN / COLOR
<input type="checkbox"/> right side	<input type="checkbox"/> Standardglider 8809-52
<input type="checkbox"/> left side	<input type="checkbox"/> 869-00 Curtain hook
<input type="checkbox"/> right and left side	<input type="checkbox"/> 853-00 Curtain double hook
	<input type="checkbox"/> LaOla gliderchain 961-25
	<input type="checkbox"/> LaOla gliderchain, rotating 966-25
	<input type="checkbox"/> white <input type="checkbox"/> grey <input type="checkbox"/> black

8. SELECTION MOTOR + ACCESSORIES	
<input type="checkbox"/> 28 mm - Pole set no. 28207	<input type="checkbox"/> 28 mm AHEAD - Pole set no. 28208
<input type="checkbox"/> MOTIONBLINBS motor art. no. 11660-00	<input type="checkbox"/> EVE MOTIONBLINBS motor art. no. 11661-00
<input type="checkbox"/> Remote control art. no. 11660-5-00	
<input type="checkbox"/> Charging cable art. no. 11660-6-00	