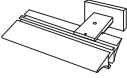
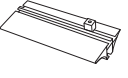
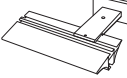
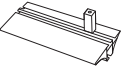
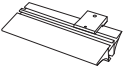
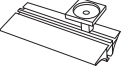
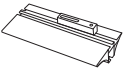
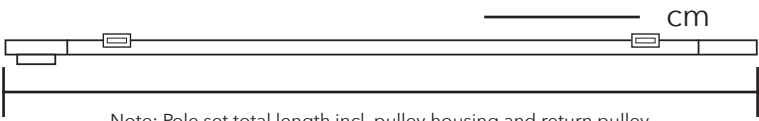


# Lep IQ MotionBlinds 31 x 90 mm Order Template

1. SYSTEM			
<input type="checkbox"/> <b>0-31907</b> Single rail Wall extension 90 mm		<input type="checkbox"/> <b>15-31907</b> Single rail Ceiling extension 46 mm	
<input type="checkbox"/> <b>1-31907</b> Single rail Wall extension 130 mm		<input type="checkbox"/> <b>16-31907</b> Single rail Ceiling extension 66 mm	
<input type="checkbox"/> <b>10-31907</b> Single rail Ceiling extension 33 mm		<input type="checkbox"/> <b>17-31907</b> Single rail Ceiling extension 74 mm	
<input type="checkbox"/> <b>12-31907</b> Single rail Ceiling extension 46 mm			

2. LENGTH	3. FINISH
 <p>Note: Pole set total length incl. pulley housing and return pulley.</p>	<input type="checkbox"/> -29 satined nickel
	<input type="checkbox"/> -157 black matt
	<input type="checkbox"/> -209 brushed gold
	<input type="checkbox"/> -850 brushed palladium

4. DRIVE	5. OVER- / UNDERLAP / WAVE CARRIER	
<input type="checkbox"/> right side	<input type="checkbox"/> Yes (standard) 8809-23 / -24	<input type="checkbox"/> No
<input type="checkbox"/> left side	<input type="checkbox"/> Wave Carrier 8809-34	

6. CURTAIN STACK	7. GLIDER / GLIDERCHAIN / COLOR		
<input type="checkbox"/> right side	<input type="checkbox"/> Standardglider 8809-52	<input type="checkbox"/> 869-00 Curtain hook	<input type="checkbox"/> 853-00 Curtain double hook
<input type="checkbox"/> left side	<input type="checkbox"/> LaOla gliderchain 961-25	<input type="checkbox"/> LaOla gliderchain, rotating 966-25	
<input type="checkbox"/> right and left side	<input type="checkbox"/> white	<input type="checkbox"/> grey	<input type="checkbox"/> black

8. SELECTION MOTOR + ACCESSORIES	
<input type="checkbox"/> MOTIONBLINBS motor art. no. 11660-00	<input type="checkbox"/> EVE MOTIONBLINBS motor art. no. 11661-00
<input type="checkbox"/> Remote control art. no. 11660-5-00	
<input type="checkbox"/> Charging cable art. no. 11660-6-00	